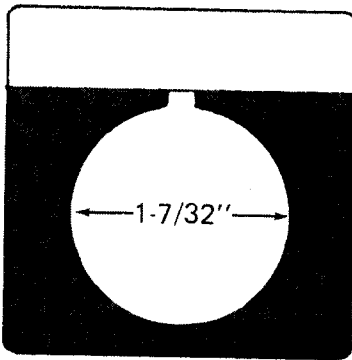


A/B



800TX559

GREY

800TX621

RED

NONE

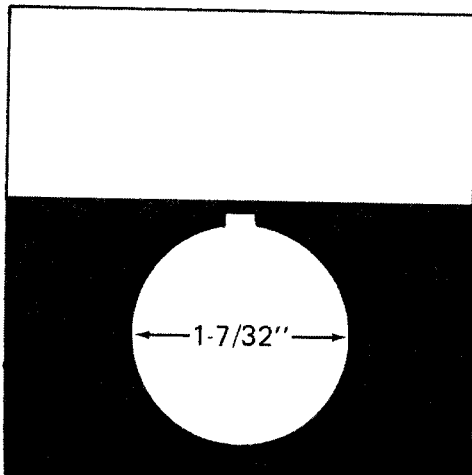
**

NONE

BLACK

** 2-Ply Plastic White / Black

Standard finish is Matte. If glossy finish is desired
add the suffix "G". ie: FS200ABG



800TX700

GREY

800TX701

RED

NONE

BLACK

NONE

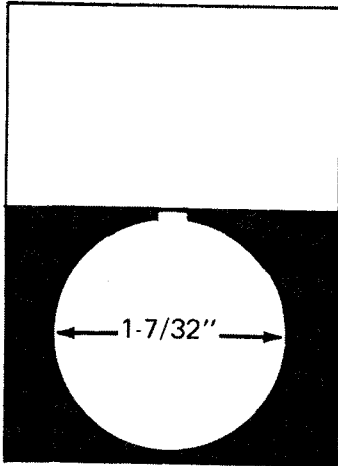
CLEAR

NONE

*

* 2-Ply Plastic White / Black

A/B



A/B No.

Color

800TX559J

GREY

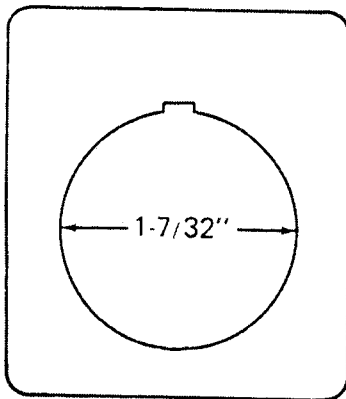
800TX621J

RED

NONE

**

** 2-Ply Plastic White / Black



A/B NO.

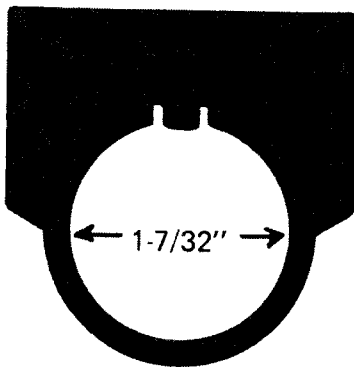
Color

800TX619

CLEAR
ALUMINUM

NONE

WHITE
PLASTIC



A/B No.

Field Color

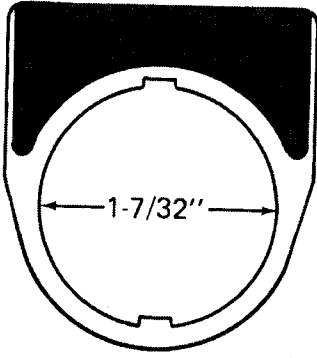
800TX59

GREY

800TX121

RED

CUTLER HAMMER



CUTLER HAMMER NO.

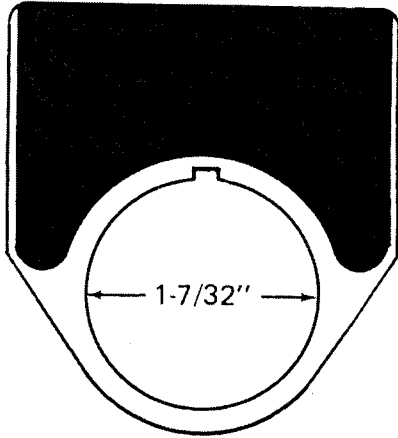
10250-TM36

10250-TM37

FIELD COLOR

BLACK

RED



CUTLER HAMMER CO.

10250-TJ36

10250-TJ37

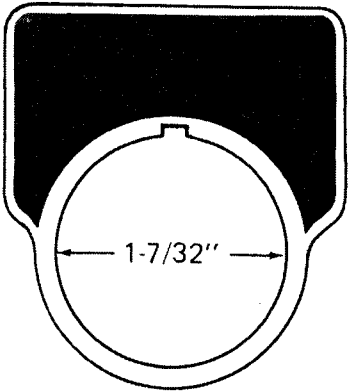
FIELD COLOR

BLACK

RED

METAL UNIVERSAL PLATES

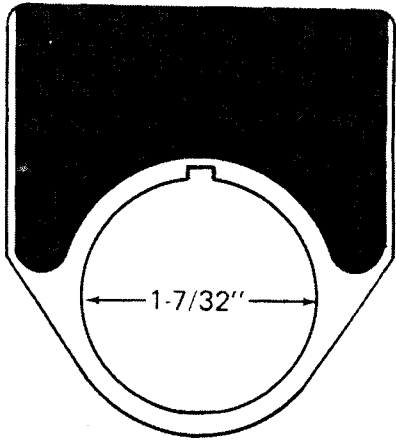
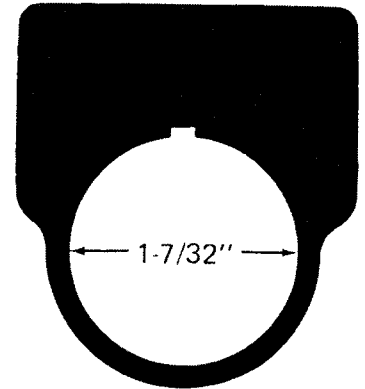
NEW SERIES: NOTCHED FOR LOCK RINGS



FM-U3B
FM-U3R

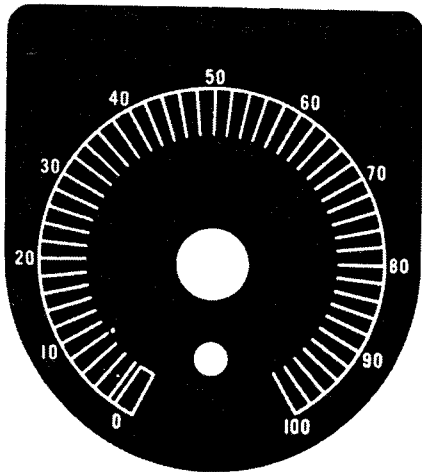
BLACK
RED
CLEAR

FM-UA3B
FM-UA3R
FM-UA3C



FM-U4B BLACK
FM-U4R RED

POTENTIOMETER PLATES

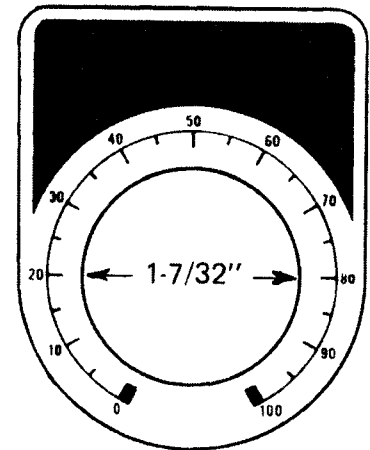


DESIGNED FOR MANY
STANDARD MAKE OF
"POTS" USED IN BY
THE ELECTRONIC IN-
DUSTRY

UDY - 100

LARGE HOLE: 3/8"
SMALL HOLE: 11/64"

U - 651



FITS ALL "POTS" USING
STANDARD OILTITE HOLE

METAL UNIVERSAL PLATES

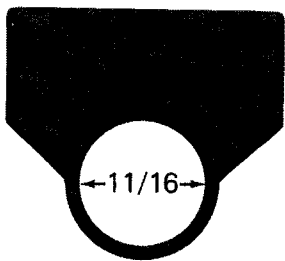
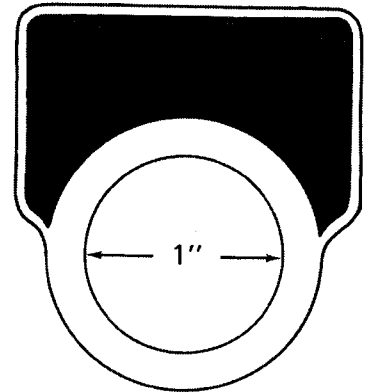
SERIES #D-3

FIELD COLORS

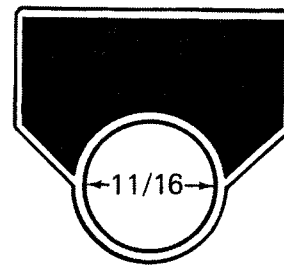
BLACK #D3B

OTHER COLORS SPECIAL

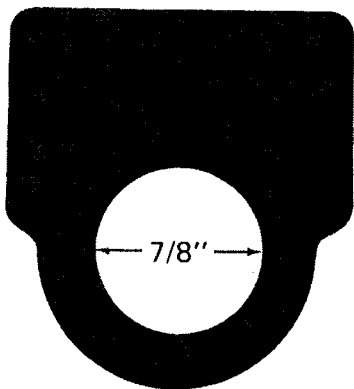
FOR 7/8 HOLE
No. D3B-78



RM800B — BLACK ANODIZED

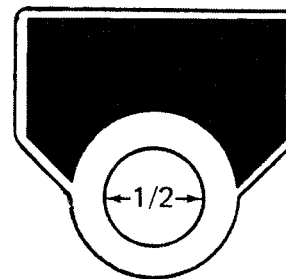


RM900B BLACK



Cat. No. Color
D3-78B BLACK

EXTRA LARGE PLATES
FOR INTERMEDIATE SIZE
7/8" DEVICES SUCH AS
GEMCO, A/B, G/E, Sq.-D.



CAT. #RM 999B BLACK

- PLATE FOR SUB-MINIATURE
- PILOT LIGHTS

METAL TAGS

1/2" x 2"



RL25

BLACK

5/8" x 1-5/8"



RL30

BLACK

3/4" x 2"

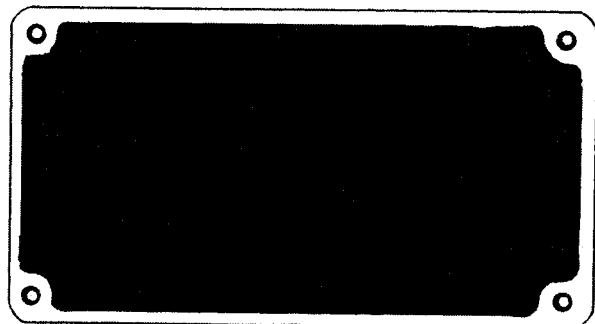


RL50

BLACK

RECOMMENDED DRIVE SCREWS SERIES D300
LENGTHS AVAILABLE 3/16" - 1/4" - 3/8"

1-5/8" x 3"



RLS35

BLACK

RLS36

RED

ALL HAVE 1/8" HOLES

RECOMMENDED DRIVE SCREWS SERIES D200
LENGTHS AVAILABLE 1/8" - 3/16" - 1/4"

METAL TAGS

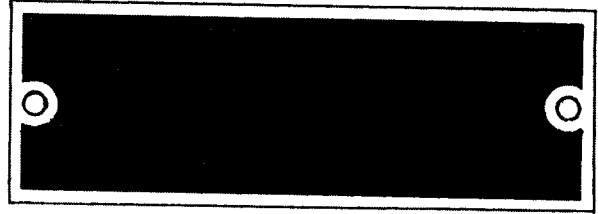
3/4" x 3"



RL60

BLACK

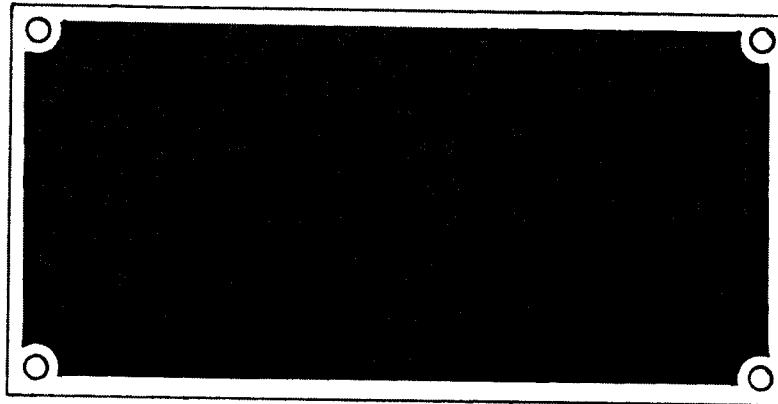
1" x 3"



RL70

BLACK

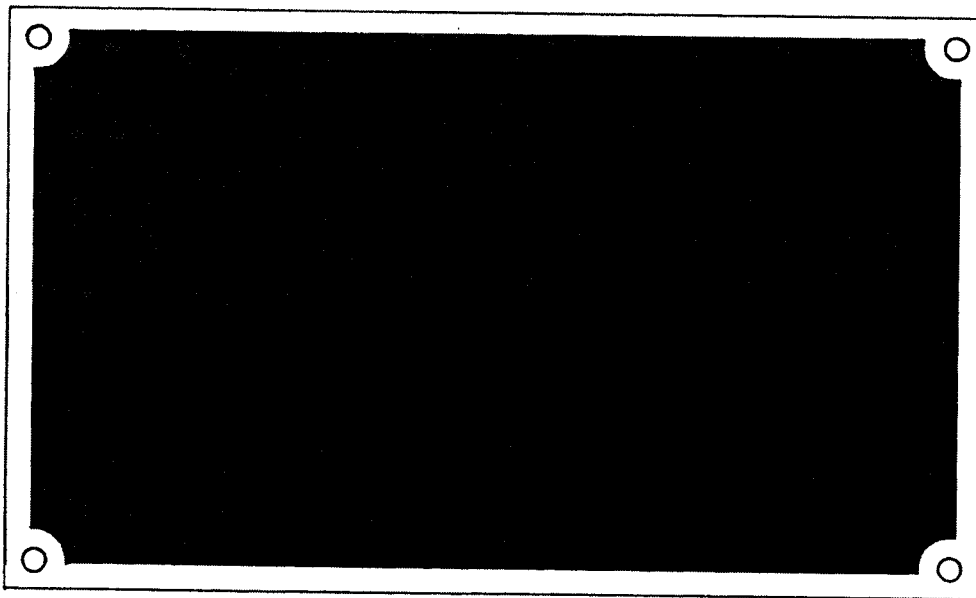
2" x 4"



RL80

BLACK

3" x 5"



RL90

BLACK

ALL HAVE 1/8" HOLES

RECOMMENDED DRIVE SCREWS SERIES D300
LENGTHS AVAILABLE 3/16" - 1/4" - 3/8"

METAL TAGS

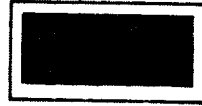
SERIES "SA" WITH SELF ADHESIVE BACKING

3/8 x 3/4



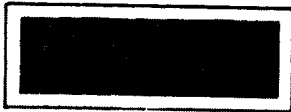
#SA5 BLACK

1/2 x 1



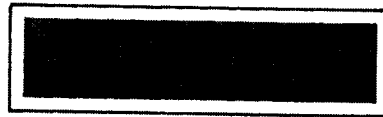
#SA10 BLACK

1/2 x 1-1/2



#SA20 BLACK

1/2 x 2



#SA30 BLACK

3/4 x 2



#SA50 BLACK